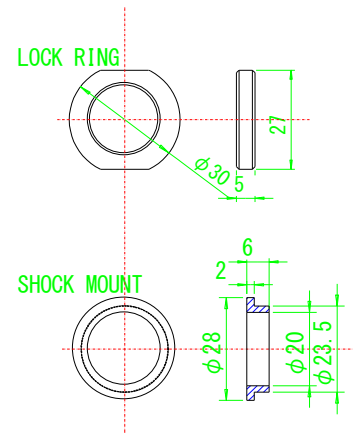
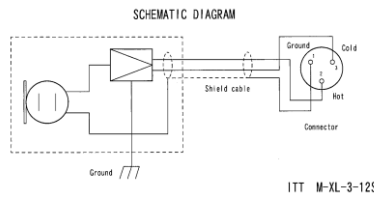


# CEILING MICROPHONE\_\_BM-650

Application : Wall-insert able Boundary Microphone Ass'y  
 Hardly Notti cable, inserted into wall and ceiling with hard wares  
 Especially made for high acoustic parameters  
 Easy installation at limited wall space



## SPECIFICATIONS

## RoHS II

|                                    |  |
|------------------------------------|--|
| Type                               | Back Electret Condenser                                |
| Directivity                        | Hemi-spherical Omni-Directional                        |
| Sensitivity                        | -40dB $\pm$ 3dB (0dB=1V/Pa 1kHz)                       |
| Frequency Response                 | 30~20,000Hz  |
| Maximum input Sound Pressure Level | 115dB S.P.L. (1kHz at 1% T.H.D.)                       |
| S/N Ratio                          | 66dB min at 1 k Hz (1Pa,A weighted network)            |
| Impedance                          | 100 $\Omega$ at 1 k Hz $\pm$ 30%                       |
| Current Consumption                | 3mA max  |
| Power                              | Phantom power P48(48V $\pm$ 4V)                        |
| Output Connector                   | ITT canon M-XL-3-12S                                   |
| Finish                             | Electro less nickel plating                            |
| Dimensions                         | $\phi 28 \times 61$ mm Cord length 100mm               |
| Weight                             | 92 g (With in Connector)                               |
| Accessory                          | Shock Mounting Rubber-----2<br>Lock ring Nut M20-----1 |

## FREQUENCY RESPONSE

