

BOUNDARY MICROPHONE BM-600

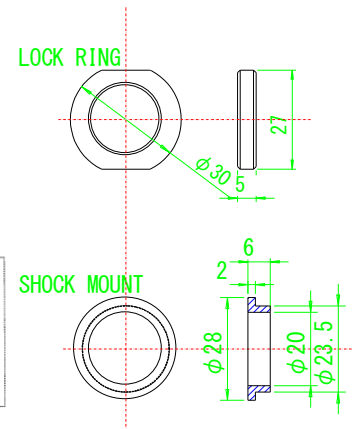
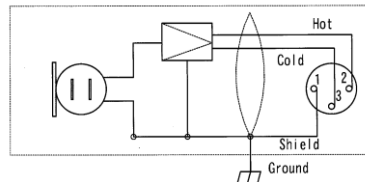
Application : Wall-insert able Boundary Microphone Ass'y

Hardly Notti cable, inserted into wall and ceiling with hard wares

Especially made for high acoustic parameters



Schematic diagram



SPECIFICATIONS

RoHS II

Type	Back Electret Condenser
Directivity	Hemi-spherical Omni-Directional
Sensitivity	-40dB ± 3dB (0dB=1V/Pa 1kHz)
Frequency Response	30~20,000Hz
Maximum input Sound Pressure Level	115dB S.P.L. (1kHz at 1% T.H.D.)
S/N Ratio	66dB min at 1 k Hz (1Pa,A weighted network)
Impedance	100 Ω at 1 k Hz ± 30%
Current Consumption	3mA max
Power	Phantom power P48(48V ± 4V)
Output Connector	XLR-M Type
Finish	White paint
Dimensions	φ 28 × 68mm
Weight	73 g
Accessory	Shock Mounting Rubber-----2 Lock ring Nut M20-----1

FREQUENCY RESPONSE

